

EXIMPOWER

Uninterruptible Power Supplies



LORD 30-120

3 Phase Modular **UPS**

Finally the benefits of Modular UPS are for all

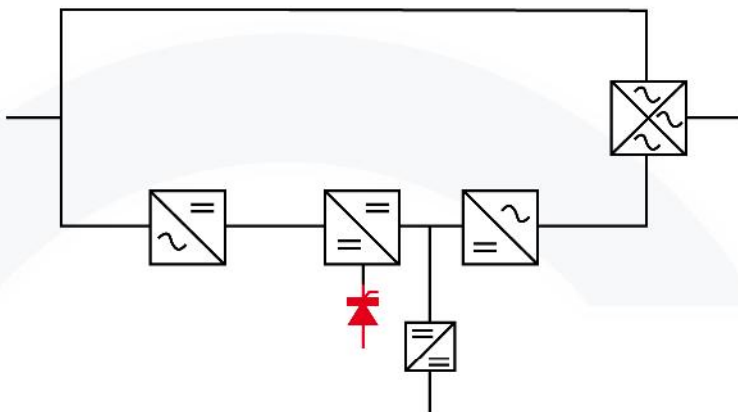
LORD 30-120

The **LORD 30/120** is an uninterruptible power supply, three phase input/output, ranging from 15 kVA to 120 kVA (equipped with 15 kVA UPS modules), a double conversion system, provided of DSP technology, designed to work for redundant applications (N+1).



EACH MODULE IS A COMPLETE AND INDEPENDENT UPS:

- Three phase rectifier
- Battery charger
- IGBT inverter
- Static switch
- DSP control logic



A very powerful **DSP** of **last generation**.
That reduces the number of the external
components

SYSTEM ADVANTAGES

1. Highest reliability (MTBF of the supplying chain 100 times more than the stand alone UPS)
2. Replacement of the fault module, with no supply interruption, (Hot swap)
3. Time to replace the module < 3 min
4. Power increasing simply by adding a module unit
5. Very low maintenance costs
6. Each module is a complete and independent Uninterruptible Power Supply

UPS FRONT PANEL



MENÙ:

1. System on
2. System stand-by
3. Temperature
4. Command
5. History
6. Diagnostic
7. Configuration

THE HIGHEST CLASS PERFORMANCES TO SUPPLY THE MOST CRITICAL LOADS

- LOCAL AREA NETWORKS (LAN)
- SERVERS
- INTERNET CENTERS (ISP/ASP/POP)
- DATA CENTERS
- HOSPITAL
- BANKS
- EMERGENCY DEVICES
- TELECOMMUNICATIONS DEVICES
- MILITAR APPLICATION
- INDUSTRIAL PLC
- ALARM SYSTEM
- TRANSPORTATION

The LORD system

1. MINILORD 30

MINI LORD is the Entry Level to the LORD Family. It is the ideal solution to supply a medium load that requires the redundancy or the possibility to expand the power in the future. Its advantages win against any stand alone UPS solution. The solution is very compact and with the possibility to expand also the autonomy adding up to 3 battery banks in the same cabinet. Power ranging from 15 kVA to 30 kVA (2 modules), 19" rack mounted with the internal battery pack.



2. LORD 60

Modular UPS three phase system ranging from 15 kVA to 60 kVA, 19" rack mounted with the internal battery pack. This solution can include 4 modules 15 kVA providing the following back up time at 75% of nominal load.

Max back up time with internal battery pack			
Nr power modules	kVA	kW at 75% of the rated load	backup time (min)
1	15	9	75
2	30	18	32
3	45	27	16
4	60	36	12

If redundancy is requested (N+1 modules) the max output power will be 45 kVA



3. LORD 120

Modular UPS three phase system ranging from 15 kVA to 120 kVA, 19" rack mounted, designed for external battery cabinet. The max output power of the LORD cabinet is 120 kVA (8 modules 15 kVA/each). The battery pack are included in the external cabinet. If redundancy is requested (N+1 modules) the max output power is 105 kVA.



4. MODULAR BATTERY CABINET (2000x1000x800 HxDxW)

It is designed to include up to 40 x 100 Ah battery blocks. This battery pack, with a 75% of the max load, allows a standard autonomy of 20 minutes. Longer back up time is possible simply adding battery cabinets, working in parallel or using other battery packs in shelves.



BATTERY CABINET

User interface

Communication board RS 232, RS 485 => STANDARD

Remote UPS monitoring for alarms, status, measures, historical data.

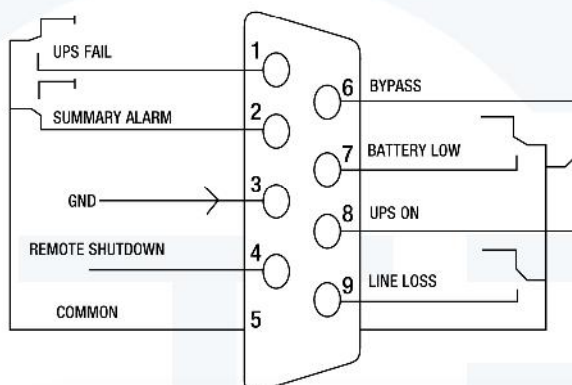
Communication board SNMP, relay card => OPTIONAL



SNMP Board



Free contacts circuit board

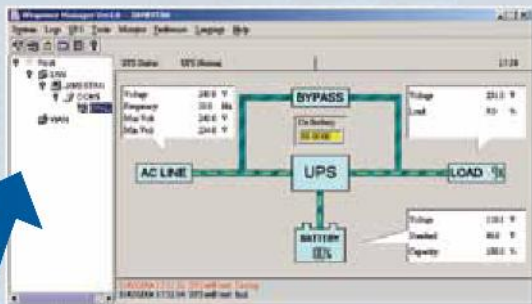


Pin #	Description	I/O
1	UPS Fail	Output
2	Summary Alarm	Output
3	GND	Input
1	Remote Shutdown	Input
5	Common	Input
6	Bypass	Output
7	Battery Low	Output
8	UPS ON	Output
9	Line Loss	Output

Communication interface card AS 400/dry contact.

A very Complete Communication

WinPower Manager



UPS Control Parameters

The UPS Control Parameters window allows for detailed configuration of the UPS system. It includes sections for:

- Voltage Ranges:** Settings for Low Line Voltage, High Line Voltage, Low Line Voltage on Bypass, and High Line Voltage on Bypass.
- Flash Control:** Options to allow or disallow flash control during AC failure and battery mode.
- AC Bus Warning:** Settings for bypass and battery mode warnings.
- Generation Option:** Options to work on bypass when the UPS is turned off and add battery life when AC input resumes.

Event Log

The Event Log window provides a comprehensive list of system events. The event list includes:

- UPS Battery Low
- UPS Battery Time Exhaust
- UPS Fail
- UPS Output Overload
- Communication Lost
- AC Fail
- On Bypass
- Bypass without output
- Self-test Fail
- Phase sequence incorrect in Bypass
- Battery switch not engaged
- Load unbalance
- Load too high
- Internal warning
- Maintain cover is opened
- Bypass not available
- AC Restore
- Communication Create

Additional options include Record, Broadcast, Email, Send SMS, and Send Pager, each with a corresponding 'Setting' button.

Shutdown Parameters

The Shutdown Parameters window allows for configuration of the system's shutdown behavior. It includes sections for:

- Shutdown Options:** Selection of shutdown mode (e.g., On-Line) and battery backup time.
- System Shutdown:** Options to begin shutdown immediately when battery is low, and to shut down or respond to system shutdown requests.
- Shutdown Remote Agents:** A table for configuring remote agents, including shutdown conditions and agent shutdown status.
- Shutdown Alarm Parameters:** Settings for shutdown alarm intervals and start warning before scheduled shutdowns.

LORD 30-120

TECHNICAL SPECIFICATIONS

MODEL	LORD 30-120
Nominal power	from 15kVA to 120kVA
INPUT	
Voltage	380V/400V/415V, 3 phases 4 wires
Voltage tolerance	294Vac to 520Vac
Frequency	50/60 ± 4Hz
Power Factor	≥ 0.99
THDi %	< 5%
BYPASS	
Voltage	380V/400V/415V, 3 phases 4 wires
Voltage tolerance	305Vac to 457Vac (selectable)
OUTPUT	
Voltage	380V/400V/415V, 3 phases 4 wires
Static voltage stability	≤ 1.5%
Frequency	50Hz / 60Hz ± 0,05% (battery)
Power factor	0,8
Overload protection	Load < 105% no transfer to bypass; 105% ≤ load < 115% transfer to bypass after 5 min; 115% ≤ load < 125% transfer to bypass after 1 min; load ≥ 125 % transfer after 1 sec.
MODULE	
Nominal power	15kVA / 12kW
Efficiency	> 91% at full load
BATTERY	
Battery nominal voltage	480 Vcc
Battery connections	3 wires (positive / neutral / negative)
Charger output voltage	273 ± 1% Vdc
Type	VRLA sealed
Max load current	4,5A for each module (selectable by LCD display)
MECHANICAL	
Acustical Noise (at 1 mt from the UPS with 8 modules)	≤ 62dB
Ambient operative temperature	0°C - 40°C
Relative umidity (Max)	90% (non condensing)
Ambient store temperature	-15°C - +55°C
Module weight	35kg
Module dimensions (mm)	440(W) x 700(D) x 131(H)
Mini Must Dimension (mm)	600(W) x 1000(D) x 1500(H)
Cabinet Dimensions / Must 60 (mm)	600(W) x 1000(D) x 2000(H)
Cabinet Dimensions / Must 120 (mm)	600(W) x 1000(D) x 2000(H)
STANDARD NORMS	
Safety	EN50091-1-1/EN62040-1-1
Emc	IEC 61000-4-2(L3); IEC 610004-3(L3); IEC 61000-4-4(L3); IEC 61000-4-5(L4); EN 50091-2(>25A) Class A